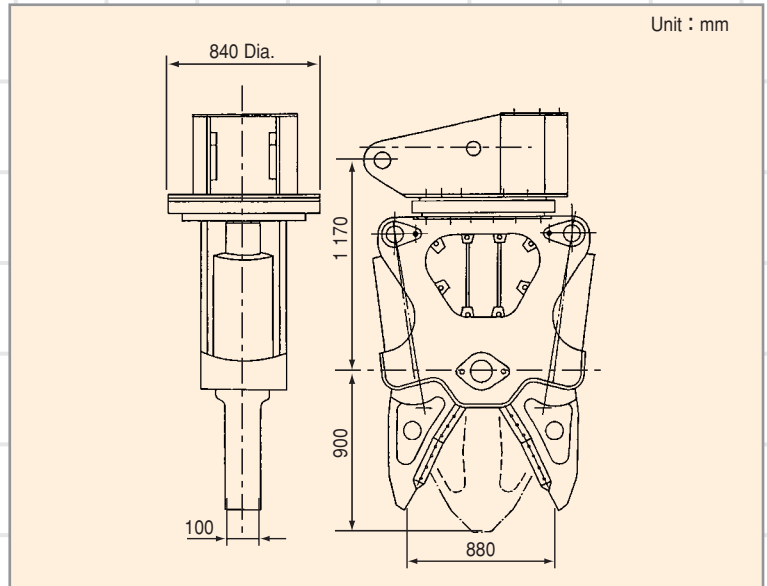


Cutter

Displays its power to demolish iron and steel frames

- Low-noise, low-vibration design is suitable for operations in urban areas.
- Advanced features include full 360° swing capability.
- Safety and efficiency are greater than those of gas cutters.

● Dimensions ●



● Specifications ●

Applicable Models		ZAXIS210 (LC) K / 225USR (LC) K	
Type		S-HSC100C	
Operating weight	kg	2 400	
Max. crushing force	kN (tf)	1 176 (120)	
Cutting	I-steel	mm	150×125×8.5
	H-steel	mm	250×125×6
	Pipe	mm	SPG-6 inch

<Notes> ● Data shown above are in SI units, followed by data in conventional units in ().
 ● Values of cutting performance are not guaranteed ones.