

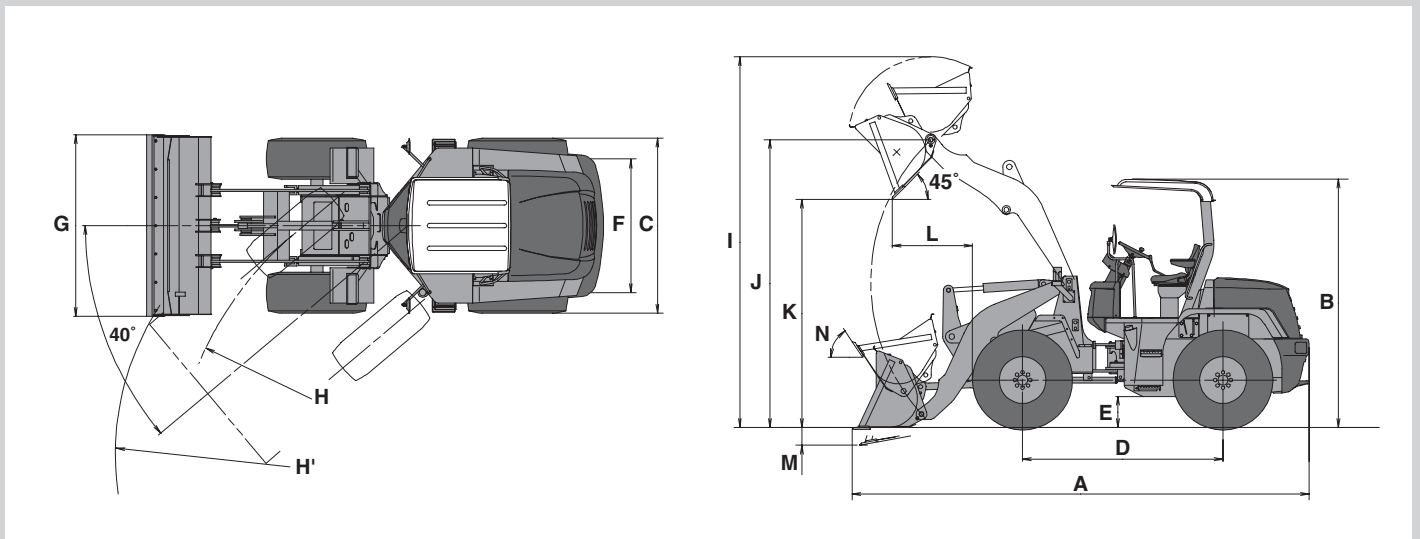
LX50

HITACHI

LX50

W H E E L L O A D E R

- **Engine Rated Power** : 44.1 kW (60 PS)
- **Operating Weight** : Canopy / Cab
4 695 kg (10 350 lb) / 4 845 kg (10 680 lb)
- **Backhoe Bucket** : ISO Heaped
0.6 m³ (0.8 yd³) – 1.2 m³ (1.6 yd³)



Unit : mm (ft in)

	LX50-7
A Overall length	5 015 (16'5")
B Height to top of canopy and cab	2 725 (8'11") / 2 720 (8'11")
C Width over tires	1 920 (6'4")
D Wheel base	2 200 (7'3")
E Ground clearance	340 (1'1")
F Tread	1 470 (4'10")
G Bucket width	1 990 (6'6")
H Turning radius (centerline of outside tire)	3 770 (12'4")
H' Loader clearance circle, bucket in carry position	4 445 (14'7")
I Overall operating height	4 065 (13'4")
J Height to hinge pin, fully raised	3 160 (10'4")
K Dump clearance 45 degree, full height	2 500 (8'2")
L Reach, 45 degree dump, full height	880 (2'11")
Reach, 45 degree dump, 7 ft (2.13 m) clearance	1 185 (3'11")
M Digging depth (horizontal digging angle)	65 (3")
N Max. roll back at carry position	53 deg.
Tire size	17.5 / 65 - 20 - 10PR (L2)

Note: General purpose bucket with bolt on cutting edges.

STANDARD & OPTIONAL EQUIPMENT

	LX50		LX50		LX50
ENGINE		Operator warning lights: Brake oil /	●	General purpose bucket with bolt on cutting edges : 0.9 m ³ (1.2 yd ³ : ISO heaped)	●
Coolant recovery tank	●	Engine oil pressure / Alternator voltage (charge)	●	Light material handling bucket with bolt on cutting edges : 1.0 m ³ (1.3 yd ³ : ISO heaped)	□
Environmentally friendly engine oil drain	●	Indicator lights: Turn signals / Warning flashers / High beam of driving light /	●	Wide (daily & livestock) bucket with bolt on cutting edges : 1.2 m ³ (1.6 yd ³ : ISO heaped)	□
Quick-release fuel filter and water separator	●	Work lights / Park brake / High gear	●	Quick-coupler and hydraulic control system for quick-coupler locking pins, includes all controls in the cab, lines, and valves	□
Glow system (for cold start)	●	Parking brake (negative)	□	Quick-coupler and mechanical control system for quick-coupler locking pins, lines, and valves	□
Double-element air cleaner	●	24-volt AM radio (for cab model only)	□	Full line of Hitachi buckets for quick coupler with selection of bolt-on cutting edges	
Clog prevention net and fan	□	24-volt AM/FM radio (for cab model only)	□	General purpose bucket with bolt on cutting edges : 0.9 m ³ (1.2 yd ³ : ISO heaped)	□
		Ride control system (APS: Anti-pitching System)	□	Light material handling bucket with bolt on cutting edges : 1.0 m ³ (1.3 yd ³ : ISO heaped)	□
POWER TRAIN				Wide (daily & livestock) bucket with bolt on cutting edges : 1.2 m ³ (1.6 yd ³ : ISO heaped)	□
Hydrostatic (HST) transmission, electronic shift control, twist-grip lever, hydrostatic oil cooler, inching pedal, and two speeds forward and reverse	●	OPERATOR'S STATION		Full line of construction utilityforks, pallet forks, and attachments*	
		Canopy		Lumber and manure fork : Max load 1 500 kg (3 300 lb) (pin on type)	□
		FRP roof / Multiplane isolation mount for noise/vibration reduction	●	Lumber and manure fork : Max load 1 400 kg (3 080 lb) (for quick coupler)	□
		ROPS** / FOPS***	□	Roll grab : Max load 1 300 kg (2 860 lb) (pin on type)	□
		With front curved glass, 2 pillars and wiper	□	Roll grab : Max load 1 200 kg (2 640 lb) (for quick coupler)	□
		Cab			
		Steel cab (without ROPS / FOPS) / Multi-plane isolation mounted for noise / vibration reduction / Front windshield washers / Safety grass	□	TIRES	
		ROPS** / FOPS*** / Multi-plane isolation mounted for noise / vibration reduction / Front windshield washers / Safety grass	□	- Bias ply :	
		Vinyl cab with front glass and vinyl shielding	□	17.5/65-20-10PR (L2)	●
		Heater / Defroster (Cab model only)	□	Tire chain (H type)	□
		Air conditioning (for cab, factory or dealer installed)	□	Spare tire with rim	□
		Seat belt, 50mm (2 in.)	●	Spare rim	□
		Seat belt, 76 mm (3 in.), with retractor*	□	Solid tires with rims per machine	□
		Seat, vinyl covered, adjustable for fore-aft position, backrest tilt	●	Spare solid tire with rim	□
		Seat, vinyl covered, mechanical suspension, adjustable for weight-height, fore-aft position, backrest tilt	□	Standard tires and galvanized rims per machine	□
		Rubber floor mat	□	1 spare standard tire and galvanized rim	□
		Steering wheel, textured with spinner knob	□	1 spare galvanized rim	□
		Rear view mirrors, outside (2)	●		
		Handholds, steps, and slip resistant	●	OTHERS	
				Vandal protection, includes lockable engine enclosure, and fuel fill	●
		LOADER LINKAGE		Counter weight, built-in	●
		Z-bar loader linkage provides "high bucket breakout" High-lift boom*	●	Power steering	●
			□	Lifting lig (4-point support)	□
		BUCKETS AND ATTACHMENTS			
		Full line of Hitachi pin on buckets with selection of bolt-on cutting edges, and bolt-on teeth*			

Note: ● Standard equipment □ Optional or special equipment

* : Contact your Hitachi dealer for further information.

** : ROPS (Roll Over Protective Structure) Conforms to ISO 3471;1994.

*** : FOPS (Falling Objects Protective Structure) Conforms to ISO 3449; 1992 Level II.



ENGINE

Model	Kubota V3300-DI-KA
Type	4-cycle water-cooled, direct injection
No. of cylinders	4
Rated power	
DIN 6 271, net	44.1 kW (60 PS) at 2 200 min ⁻¹ (2 200 rpm)
SAE J1349, net	44.1 kW (59 hp) at 2 200 min ⁻¹ (2 200 rpm)
Bore and stroke	98 mm (3.86") x 110 mm (4.33")
Piston displacement	3.318 L (202.4 in ³)
Electrical system	24 volt with 1.44 kW, 60 A alternator
Starting system	24 V x 3.2 kW electric motor.
Batteries	2 x 12 V / 306 CCA, 78-min. rated reserve
Air cleaner	Single stage dry type with restriction indicator



POWER TRAIN

Transmission	Hydrostatic transmission automatically controls power and speed with electrically controlled.
Travel speed* : km/h (mph)	
	Forward & Reverse
Low - hold	12 (7.5)
Travel range	34 (21.1)
	<i>* With 17.5 / 65-20-10PR (L2) tires</i>



AXLE AND FINAL DRIVE

Drive system	Four-wheel drive system
Front & rear axle	Semi-floating
	Front : fixed to the front frame
	Rear : Center pivot
Reduction and differential gear	conventional
Oscillation angle	±11° ; total 22°
Final drives	Heavy duty, planetary final drive



TIRES (tubeless, nylon body)

Standard	17.5/65-20-10PR (L2)
----------------	----------------------



BRAKES

Service brakes	Inboard mounted fully hydraulic 4 wheel wet disk.
Parking brake	Spring applied hydraulic released wet disk.



STEERING SYSTEM

Type	Articulated frame steering
Steering mechanism	Full hydraulic power steering with orbitrol
Steering angle	Each direction 40° ; total 80°
Relief pressure	17.2 MPa (175 kgf/cm ² , 2 490 psi)
Cylinders	Two double-acting piston type
No. x Bore x Stroke	2 x 45 mm (1.8") x 340 mm (13.4")
Minimum turning radius at the centerline of outside tire	3.77 m (12'4")



HYDRAULIC SYSTEM

Boom and bucket are controlled by mechanical single control lever	
Boom controls	Four position valve ; Raise, hold, lower, float
Bucket controls with automatic bucket return-to-dig control	Three position valve ; Roll back, hold, dump
Main pump	
(Load & steer)	Gear type 78.7 L/min (20.8 US gal , 17.3 Imp gal/min) @2 200 min ⁻¹ (rpm) at 20.6 MPa (210 kgf/cm ² , 2 990 psi)
Relief pressure setting	20.6 MPa (210 kgf/cm ² , 2 990 psi)
Hydraulic cylinders	
Type	Two boom and one bucket, double acting type
No. x Bore x Stroke	Boom : 2 x 85 mm (3.3") x 552 mm (9.7")
	Bucket : 1 x 80 mm (3.1") x 457 mm (6.0")
Filters	Full-flow 15 micron return filter in reservoir
Hydraulic cycle times	
Lift boom Raise	5.0 s
Lower	3.5 s
Bucket dump	1.0 s



SERVICE REFILL CAPACITIES

Fuel tank	75 L (19.8 US gal, 16.5 Imp gal)
Engine coolant	12 L (3.2 US gal, 2.6 Imp gal)
Engine oil	13.2 L (3.5 US gal, 2.9 Imp gal)
Front axle differential & wheel hubs	9.5 L (2.5 US gal, 2.1 Imp gal)
Rear axle differential & wheel hubs	9.5 L (2.5 US gal, 2.1 Imp gal)
Hydraulic reservoir.....	73 L (19.3 US gal, 16.1 Imp gal)



DIMENSIONS

Bucket type			Standard boom			Semi- high-lift boom		Semi-high-lift boom with quick-coupler	
			General purpose	Light material handling	Dairy & livestock	General purpose	General purpose	General purpose	Light material handling
			With bolt-on cutting edges	With bolt-on cutting edges	With bolt-on cutting edges	With bolt-on cutting edges	With bolt-on cutting edges	With bolt-on cutting edges	With bolt-on cutting edges
Bucket capacity	ISO heaped	m ³ (yd ³)	0.9 (1.2)	1.0 (1.3)	1.2 (1.6)	0.8 (1.0)	0.9 (1.2)	0.8 (1.0)	0.9 (1.2)
	ISO struck	m ³ (yd ³)	0.7 (0.9)	0.85 (1.1)	1.05 (1.4)	0.65 (0.9)	0.7 (0.9)	0.65 (0.9)	0.7 (0.9)
Bucket width		mm (ft-in)	1 990 (6'6")	1 990 (6'6")	1 990 (6'6")	1 990 (6'6")	1 990 (6'6")	1 990 (6'6")	1 990 (6'6")
Working range									
Dump clearance 45 degree, full height		mm (ft-in)	2 500 (8'2")	2 415 (7'11")	2 345 (7'8")	2 735 (8'12")	2 705 (8'10")	2 625 (8'7")	2 595 (8'6")
Reach, 45 degree dump, full height		mm (ft-in)	880 (2'11")	970 (3'2")	1 040 (3'5")	910 (2'12")	940 (3'1")	1 020 (3'4")	1 050 (3'5")
Reach, 45 degree dump, 7 ft (2.13 m) clearance		mm (ft-in)	1 185 (3'11")	1 210 (3'12")	1 225 (4'0")	1 395 (4'7")	1 410 (4'8")	1 440 (4'9")	1 450 (4'9")
Digging depth (horizontal digging angle)		mm (ft-in)	65 (2.6")	65 (2.6")	65 (2.6")	65 (2.6")	65 (2.6")	65 (2.6")	65 (2.6")
Overall height, bucket on ground(with FRP canopy)		mm (ft-in)	2 725 (8'11")	2 725 (8'11")	2 725 (8'11")	2 725 (8'11")	2 725 (8'11")	2 725 (8'11")	2 725 (8'11")
Overall height, bucket on ground(with ROPS canopy)		mm (ft-in)	2 855 (9'4")	2 855 (9'4")	2 855 (9'4")	2 855 (9'4")	2 855 (9'4")	2 855 (9'4")	2 855 (9'4")
Overall height, bucket on ground(with Steel cab)		mm (ft-in)	2 720 (8'11")	2 720 (8'11")	2 720 (8'11")	2 720 (8'11")	2 720 (8'11")	2 720 (8'11")	2 720 (8'11")
Overall height, bucket on ground(with ROPS cab)		mm (ft-in)							
Overall operating height		mm (ft-in)	4 065 (13'4")	4 065 (13'4")	4 190 (13'9")	4 230 (13'11")	4 270 (14'0")	4 330 (14'2")	4 370 (14'4")
Overall length (Bucket on ground)		mm (ft-in)	5 015 (16'5")	5 135 (16'10")	5 235 (17'2")	5 225 (17'2")	5 265 (17'3")	5 385 (17'8")	5 425 (17'10")
Loader clearance circle, bucket in carry position		mm (ft-in)	4 445 (14'7")	4 505 (14'9")	4 530 (14'10")	4 560 (14'12")	4 570 (14'12")	4 605 (15'1")	4 615 (15'2")
Static tipping load *	Straight	kgf (lbf)	3 400 (7 500)	3 350 (7 390)	3 270 (7 210)	2 960 (6 530)	2 950 (6 500)	2 840 (6 260)	2 820 (6 220)
	Full 40 degree turn	kgf (lbf)	2 900 (6 390)	2 850 (6 280)	2 820 (6 220)	2 570 (5 670)	2 560 (5 640)	2 470 (5 450)	2 470 (5 450)
Breakout force		kN kgf (lbf)	47 4 750 (10 470)	39 4 000 (8 820)	34 3 500 (7 720)	47 4 800 (10 580)	44 4 500 (9 920)	36 3 700 (8 160)	33 3 400 (7 500)
Operating weight *		kgf (lbf)	4 695 (10 350)	4 715 (10 390)	4 755 (10 480)	4 755 (10 480)	4 765 (10 510)	4 890 (10 780)	4 905 (10 810)

Bucket type			Standard boom with quick-coupler			High-lift boom	
			General purpose	Light material handling	Dairy & livestock	General purpose	General purpose
			With bolt-on cutting edges	With bolt-on cutting edges	With bolt-on cutting edges	With bolt-on cutting edges	With bolt-on cutting edges
Bucket capacity	ISO heaped	m ³ (yd ³)	0.9 (1.2)	1.0 (1.3)	1.2 (1.6)	0.6 (0.8)	0.8 (1.0)
	ISO struck	m ³ (yd ³)	0.7 (0.9)	0.85 (1.1)	1.05 (1.4)	0.5 (0.7)	0.65 (0.9)
Bucket width		mm (ft-in)	1 990 (6'6")	1 990 (6'6")	1 990 (6'6")	1 990 (6'6")	1 990 (6'6")
Working range							
Dump clearance 45 degree, full height		mm (ft-in)	2 390 (7'10")	2 305 (7'7")	2 235 (7'4")	2 925 (9'7")	2 875 (9'5")
Reach, 45 degree dump, full height		mm (ft-in)	990 (3'3")	1 075 (3'6")	1 145 (3'9")	1 135 (3'9")	1 185 (3'11")
Reach, 45 degree dump, 7 ft (2.13 m) clearance		mm (ft-in)	1 220 (4'0")	1 235 (4'1")	1 240 (4'1")	1 695 (5'7")	1 755 (5'9")
Digging depth (horizontal digging angle)		mm (ft-in)	65 (2.6")	65 (2.6")	65 (2.6")		
Overall height, bucket on ground(with FRP canopy)		mm (ft-in)	2 725 (8'11")	2 725 (8'11")	2 725 (8'11")		
Overall height, bucket on ground(with ROPS canopy)		mm (ft-in)	2 855 (9'4")	2 855 (9'4")	2 855 (9'4")		
Overall height, bucket on ground(with Steel cab)		mm (ft-in)	2 720 (8'11")	2 720 (8'11")	2 720 (8'11")		
Overall height, bucket on ground(with ROPS cab)		mm (ft-in)					
Overall operating height		mm (ft-in)	4 165 (13'8")	4 165 (13'8")	4 300 (14'1")	4 230 (13'11")	4 375 (14'4")
Overall length (Bucket on ground)		mm (ft-in)	5 175 (16'12")	5 295 (17'4")	5 395 (17'8")	5 510 (18'1")	5 580 (18'4")
Loader clearance circle, bucket in carry position		mm (ft-in)	4 515 (14'10")	4 550 (14'11")	4 580 (15'0")	4 705 (15'5")	4 730 (15'6")
Static tipping load *	Straight	kgf (lbf)	3 700 (8 160)	3 200 (7 050)	2 800 (6 170)		
	Full 40 degree turn	kgf (lbf)	3 130 (6 900)	3 080 (6 790)	3 000 (6 610)		
Breakout force		kN kgf (lbf)	27 2 780 (6 130)	27 2 730 (6 020)	27 2 710 (5 970)		
Operating weight *		kgf (lbf)	4 835 (10 660)	4 850 (10 690)	4 900 (10 800)		

Notes: 1. All dimensions, weight and performance data based on ISO 6746-1:1987, ISO 7131:1997 and ISO 7546:1983

2. Static tipping load and operating weight marked with * include 17.5/65-20-10PR (L2) tires (no ballast) with lubricants, coolant, full fuel tank and operator. Machine stability and operating weight depend on counterweight, tire size and other attachments.

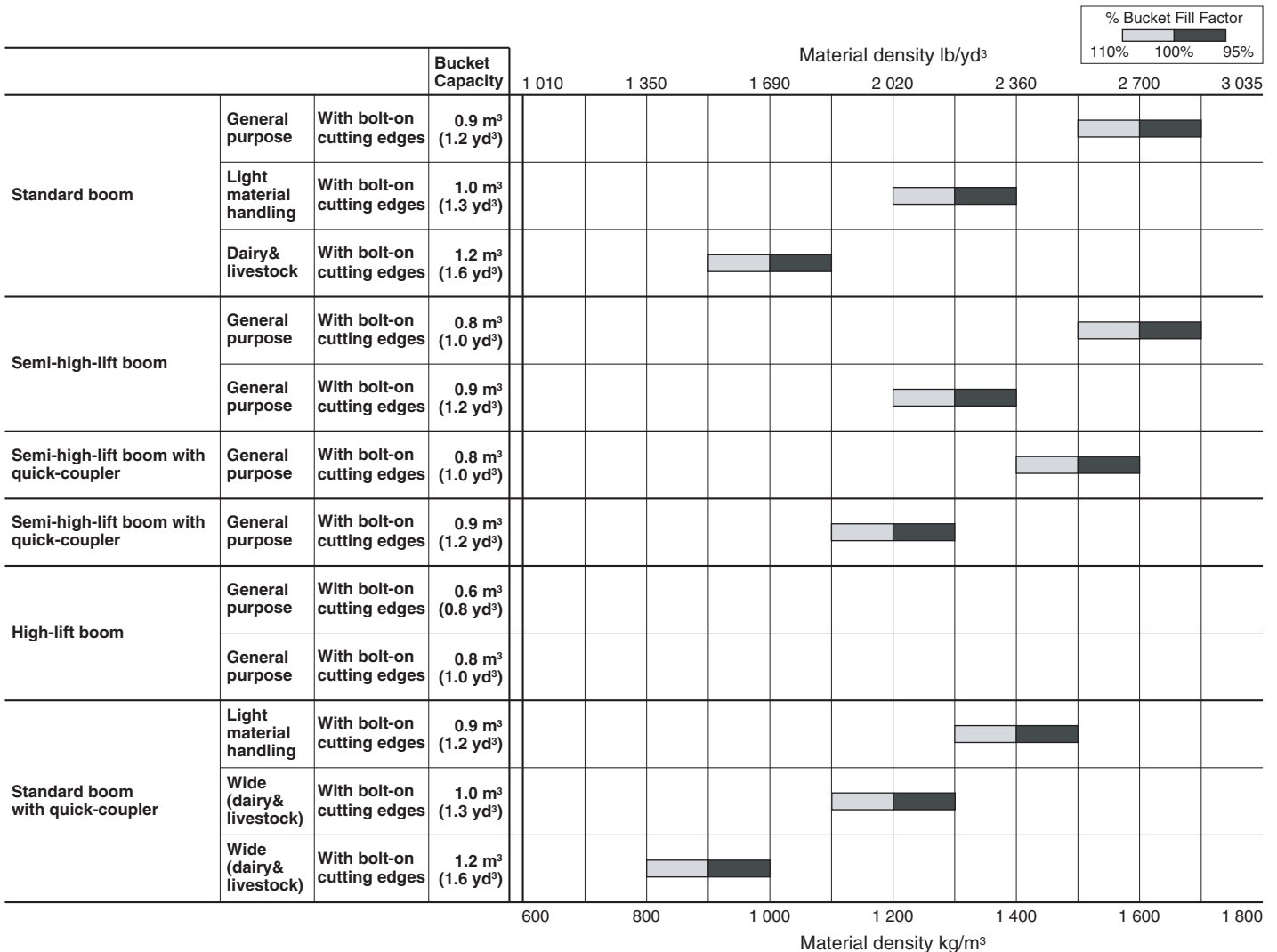


WEIGHT CHANGES

Tires and Options	Change in operating weight		Change in tipping load			
	kg	lb	Straight		Full turn	
			kg	lb	kg	lb
Steel cab (in lieu of FRP roof canopy)	4 845	10 681	3 530	7 782	3 010	6 636
ROPS canopy (in lieu of FRP roof canopy)	4 885	10 769	3 600	7 937	3 080	6 790
ROPS cab (in lieu of FRP roof canopy)						
Canopy with front curved glass (add to FRP roof canopy)	4 745	10 461	3 430	7 562	2 920	6 437
Vinyl cab with front glass (add to FRP roof canopy)	4 755	10 483	3 440	7 584	2 930	6 459
Lumber and pallet fork (pin on type)	4 715	10 395	2 380	5 247	2 070	4 563
Lumber and pallet fork (for quick coupler)	4 835	10 659	2 260	4 982	2 040	4 497
Manure fork (pin on type)						
Manure fork (for quick coupler)						
Roll grab (pin on type)						
Roll grab (for quick coupler)	4 770	10 516	2 050	4 519	1 790	3 946



BUCKET SELECTION GUIDE



 **Hitachi Construction Machinery Co., Ltd.**

Head Office: 5-1 Koraku 2-chome, Bunkyo-ku,
Tokyo 112-8563, Japan

Telephone: (03)3830-8050

Facsimile: (03)3830-8202

*These specifications are subject to change without notice.
Illustrations and photos show the standard models, and may or may not include optional
equipment, accessories, and all standard equipment with some differences in color and features.*

KL-E100P

'02.06 (KA/KA, MT₃)